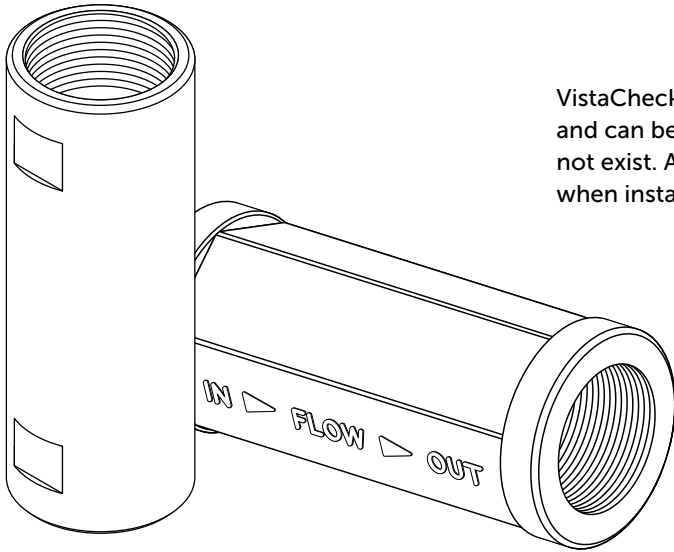


# VistaCheck®

## Dual Check Backflow Preventers

PATENTS PENDING



VistaCheck provides cost-effective backflow protection of the public water supply and can be used on all potable water lines where a potential health hazard does not exist. All models provide both backsiphonage and backpressure protection when installed according to local and/or state plumbing requirements.

### Features

- 100% lead free (No Prop 65 warnings required)
- Available in 1/2" – 1-1/2" line sizes
- Female NPT thread sizes for max flexibility
- All models are non-corrosive
- White Schedule 80 PVC models
- Gray hard-anodized 6061 aluminum models
- All use the same internal components by size
- Install vertically, horizontally, or any direction
- Low pressure drop and high flow rates
- Modular design for easy servicing (if required)
- Resists chlorine and chloramine corrosion
- Resists hardness and scale build-up

### Standards Certification & Compliance

- ASSE 1024 / CSA B64.6
- NSF 14 (PVC model), 18, 61, 372
- ASME A112.18.1 / CSA B125.1
- ASME A112.18.3
- Meets NFPA 13D
- 100% Lead Free
- Meets California Health & Safety Code 116875

Specifications	
Max Operating Temperature	160° F
Max Operating Pressure	150 PSI
Medium	Water
Spring Cracking Pressure	> 1.2 PSI
Horizontal or Vertical Orientation	Yes
Continuous or Intermittent PSI	Yes

### Industries & Typical Applications

- Residential, commercial & light industrial
- Food service, healthcare & water treatment
- Hot & cold water mains or supply lines
- Pullout sprayer hose outlets
- Reverse osmosis, water softener & filter systems
- Distillation & dialysis systems
- Residential fire protection lines (aluminum models)

### Threaded Ports

All high-flow VistaCheck® backflow preventers feature female NPT inlet and outlet ports for maximum flexibility and inventory control. Hundreds of fittings can be used to suit various installation requirements. See diagrams on the reverse side of this page for typical installations.

## PVC Schedule 80 Models (White)

Model	FNPT Size	Max Flow Rate *		Diameter		Length		Weight	
		gpm	lpm	in	cm	in	cm	oz	g
VC050-P	1/2	TBD	TBD	1.328	3.373	3.250	8.255	TBD	TBD
VC075-P	3/4	TBD	TBD	1.617	4.107	4.192	10.648	TBD	TBD
VC100-P	1	TBD	TBD	1.998	5.075	4.865	12.357	TBD	TBD
VC125-P	1-1/4	TBD	TBD	2.425	6.160	5.560	14.122	TBD	TBD
VC150-P	1-1/2	TBD	TBD	2.500	6.350	5.120	13.005	TBD	TBD

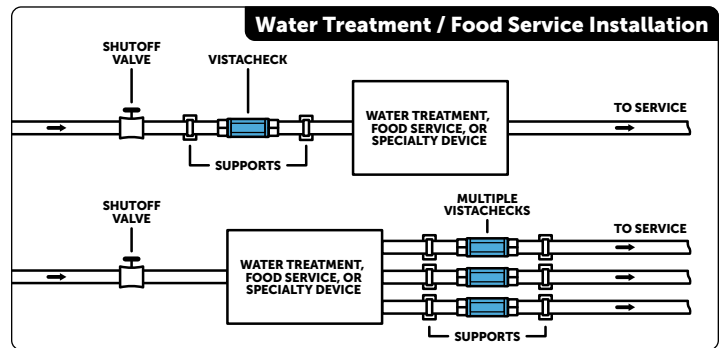
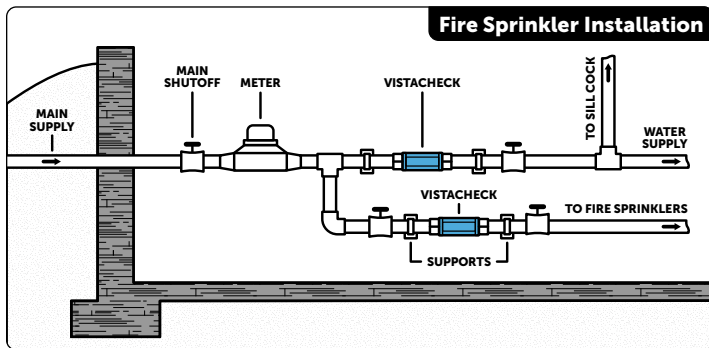
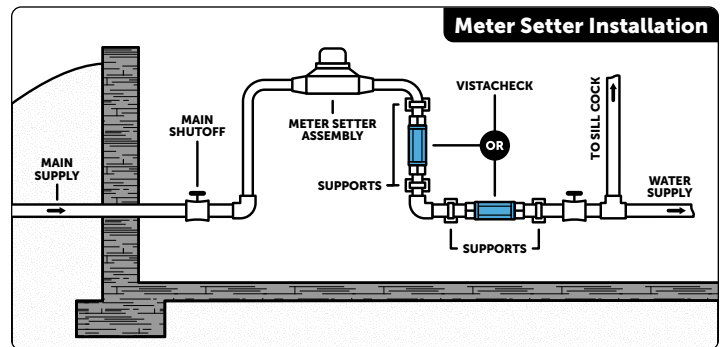
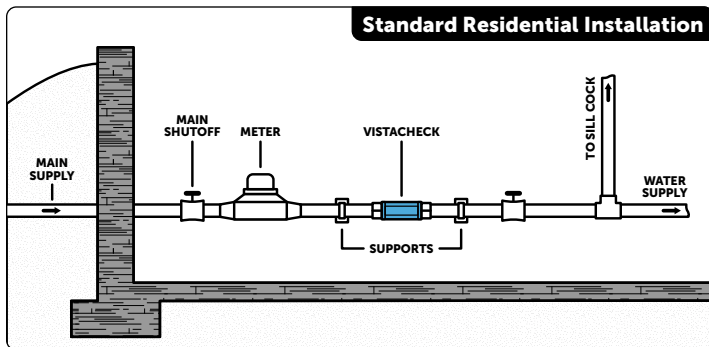
\* Maximum flow rate at 10 psi pressure drop

## Hard-Anodized 6061 Aluminum Models (Gray)

Model	FNPT Size	Max Flow Rate *		Diameter		Length		Weight	
		gpm	lpm	in	cm	in	cm	oz	g
VC050-A	1/2	TBD	TBD	1.328	3.373	3.250	8.255	TBD	TBD
VC075-A	3/4	TBD	TBD	1.617	4.107	4.192	10.648	TBD	TBD
VC100-A	1	TBD	TBD	1.998	5.075	4.865	12.357	TBD	TBD
VC125-A	1-1/4	TBD	TBD	2.425	6.160	5.560	14.122	TBD	TBD
VC150-A	1-1/2	TBD	TBD	2.500	6.350	5.120	13.005	TBD	TBD

\* Maximum flow rate at 10 psi pressure drop

## Typical Installations



◆ VistaWaterGroup.com ◆ (480) 462-2707  
◆ 1244 County Road 1475, Ashland, OH 44805

M2504/210716

© 2021 Vista Water Group, LLC. All rights reserved.